



Model ERV2500 EFD (Rooftop)

SPECIFICATIONS

AIR FLOW:

2100 cfm (985 L/s) at 1.0"wg ESP

PERFORMANCE:

70% effective at 2500 cfm (1172 L/s)

CORE:

Modular aluminum sensible heat recovery core.
Plate-to-plate type. Slides out of either side of cabinet for service.

MOTORS:

Two single shaft PSC, 3-speed, 208/230V, 5.1 amps, 1 ph, 1 hp

BLOWERS:

Two direct-drive centrifugal blowers, one per air stream.

FILTERS:

Two 18" X 24" 4-inch pleated filters in each air stream.

DUCT CONNECTIONS:

Two 24" X 16" to and from the building under cabinet.
Two 28" X 18" hoods included on side of cabinet, with screens.

CABINET:

20 gauge powder coated galvanized steel (G60) for superior corrosion resistance. 16 gauge galvanized frame, insulated with 1.5" fiberglass insulation to prevent condensation.

DRAIN:

Two stainless steel drain pans with 1/2" NPT drain spouts.

MOUNTING:

Rooftop mounted on optional roof curb (Part No. 53-2500)

CONTROLS:

24V terminal strip inside electrical box, to connect optional remote controls (not included), obtain on/off and high/low functions.

DEFROST:

Factory set defrost time (user adjustable).
Supply motor is shut off while exhaust air defrosts core.

WARRANTY:

15 year warranty on heat exchanger, and 2 years on parts

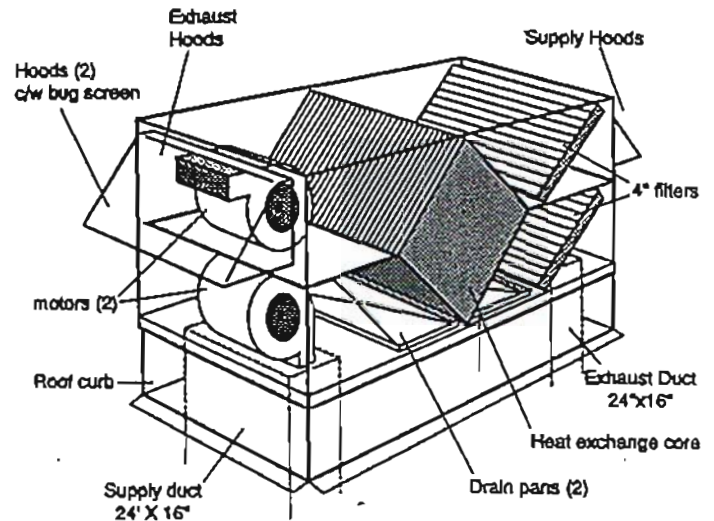
WEIGHT:

700 lbs.

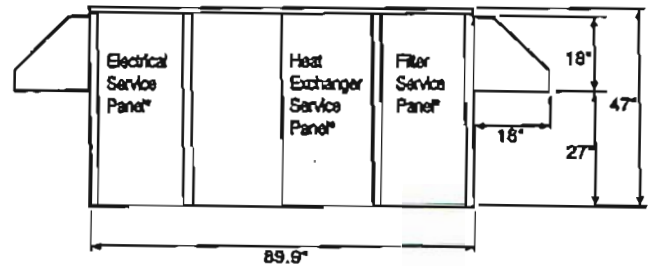
SHIPPING WEIGHT:

780 lbs.

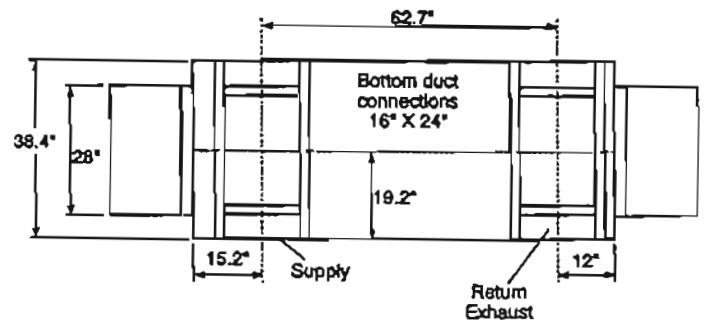
All units conform to CSA and UL



*NOTE: Roof curb is one inch smaller than outside dimensions of cabinet.



*NOTE: Removable service access panels on both sides of 2500 EFD cabinet.



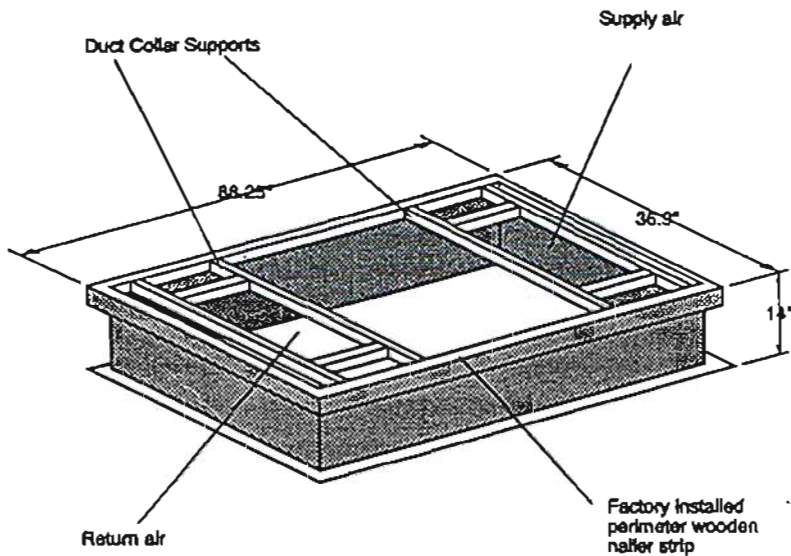
DATE: _____

PROJECT: _____

CONTRACTOR: _____



Roof Curb (optional)
Part No. 53-2500



OPTIONS AND ACCESSORIES

99-101: CRANK TIMER

Mechanical timer to activate high speed.

***99-104: DIGITAL ELECTRONIC TIMER (DET)**

20, 40, or 60 minutes of high speed at the touch of a button.

***99-105: PROGRAMMABLE VENTILATION CONTROL (PVC)**

Activates high speed via built in 99-109 Air Sentry, dehumidistat and 24 hour timer.

***99-109: AIR SENTRY (AIR QUALITY SENSOR)**

Activates high speed when contaminants such as alcohols, formaldehyde, propane or cigarette smoke are detected.

99-116: DEHUMIDISTAT VENTILATION CONTROL (DVC)

Turns unit on/off via slider switch and high/low via built-in dehumidistat.

99-117: COMMERCIAL INTERFACE CONTROL (CIC)

Connects low voltage terminals on HRV to specified digital controls above.

99-130: DEHUMIDISTAT

Activates high speed when indoor humidity rises above set point on control.

99-140: 4" TECHGRILLE

99-141: 5" TECHGRILLE

99-142: 6" TECHGRILLE

99-148: 8" TECHGRILLE

Round, white, step-type diffusers.

53-2500: ROOF CURB

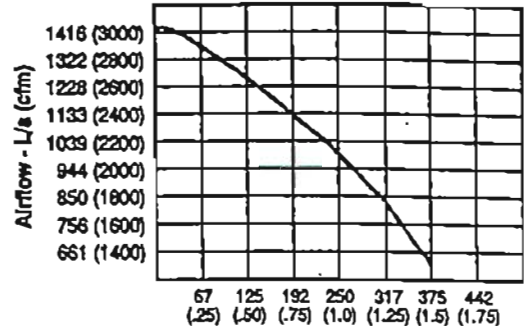
Supports HRV on roof and connects HRV to ducting below.

Information about design-built electric and hydronic make-up heat coils available upon request.

* These devices require connection to the 99-117 CIC to function.

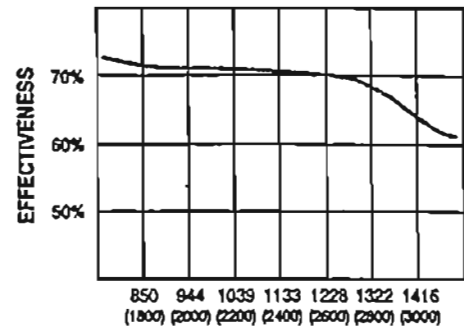
PERFORMANCE

AIRFLOWS (Each Air Stream)



External Static Pressure - pascals (in.wg)

TEMPERATURE EFFECTIVENESS



Airflow - L/s (cfm)

